

Timber you can trust

We take care of every detail of our products since their inception, because we are an all-in-one company. Controlling the entire process allows us to ensure top quality of our products.

PINDO's sawn timber is a reliable choice. We use high quality pine that can always be traced to its sustainable origins. Our sawmill works with the last production standards and have the PEFC Chain of Custody certificationV



DRIED IN HIGH-TECH KILNS



DIMENSIONAL STABILITY



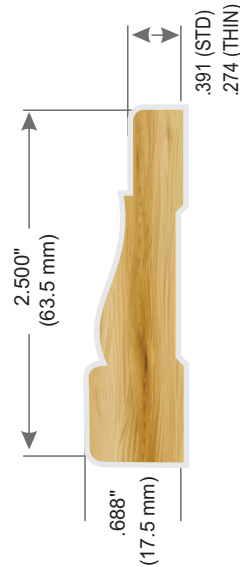
MANUFACTURED WITH ITS OWN RENEWABLE ENERGY



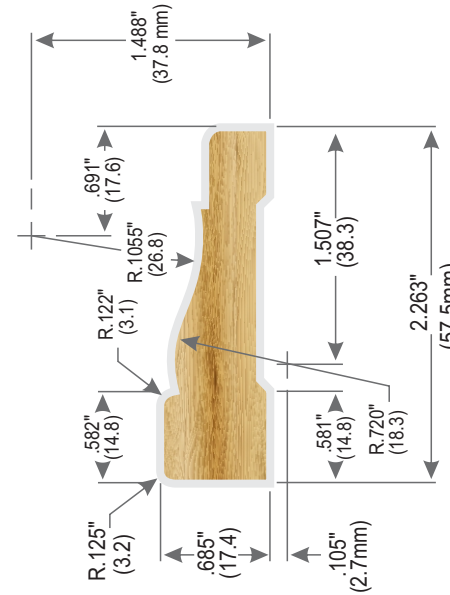
RESPONSABLE PRODUCED



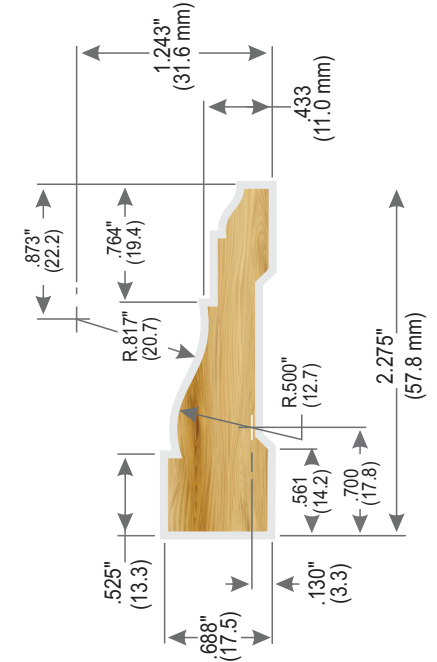
CASINGS



WM 351



WM 356



WM 366



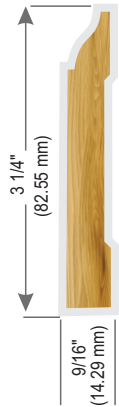
CE 195



S4S



WM 620



WM 623



DRIED IN
HIGH-TECH
KILNS



DIMENSIONAL
STABILITY



MANUFACTURED
WITH ITS OWN
RENEWABLE
ENERGY



RESPONSIBLE
PRODUCED





DRIED IN
HIGH-TECH
KILNS



DIMENSIONAL
STABILITY



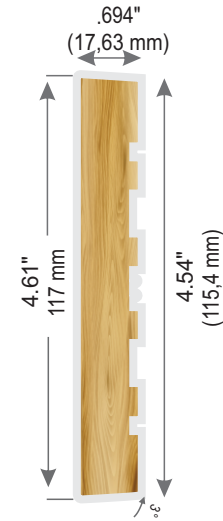
MANUFACTURED
WITH ITS OWN
RENEWABLE
ENERGY



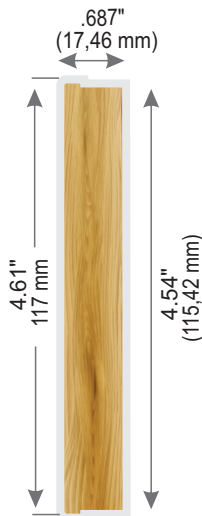
RESPONSABLE
PRODUCED



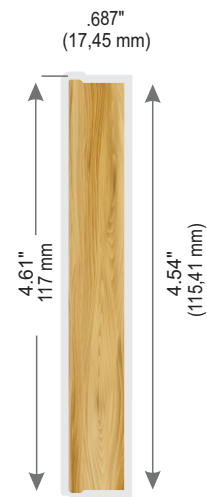
NO BACK BEVEL



BACK BEVEL

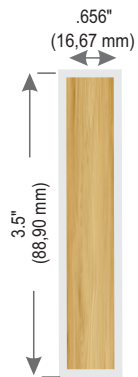
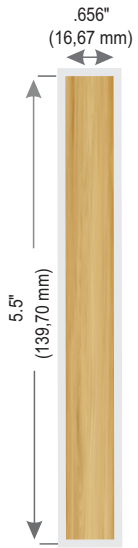


TEXAS TRIM



S&S TRIM GUIDE





S4S



DRIED IN
HIGH-TECH
KILNS



DIMENSIONAL
STABILITY

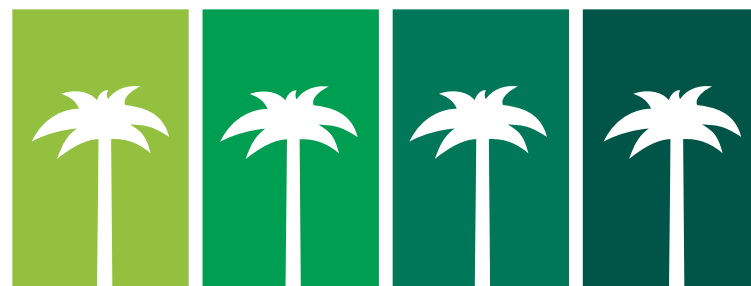


MANUFACTURED
WITH ITS OWN
RENEWABLE
ENERGY



RESPONSIBLE
PRODUCED





PINDO

PUERTO ESPERANZA - MISIONES

PINDO S.A.
JUAN D. PERÓN 303
PUERTO ESPERANZA
MISIONES (N3378BUA)
Tel.: +54 (3757) 480771

 www.pindosa.com.ar

 PINDO

 PINDO